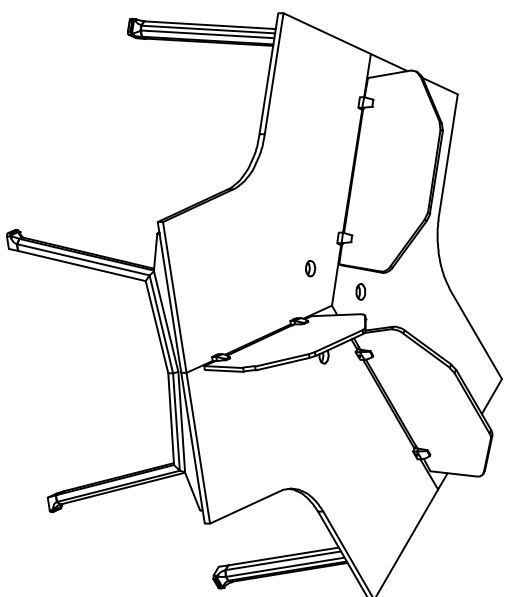
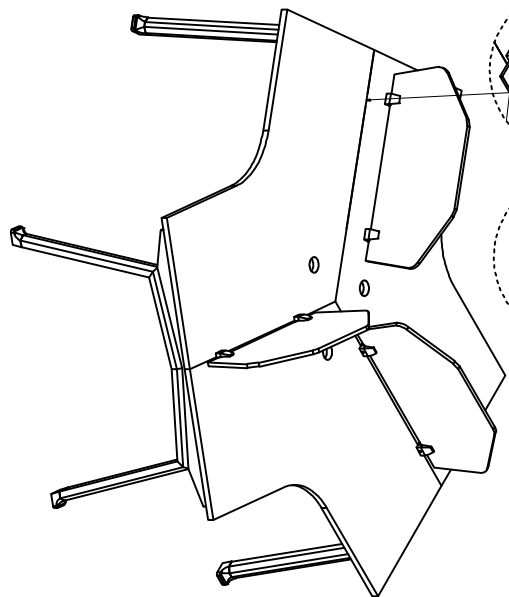
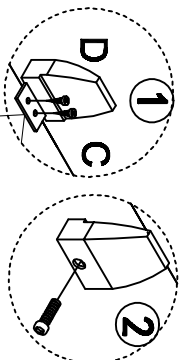
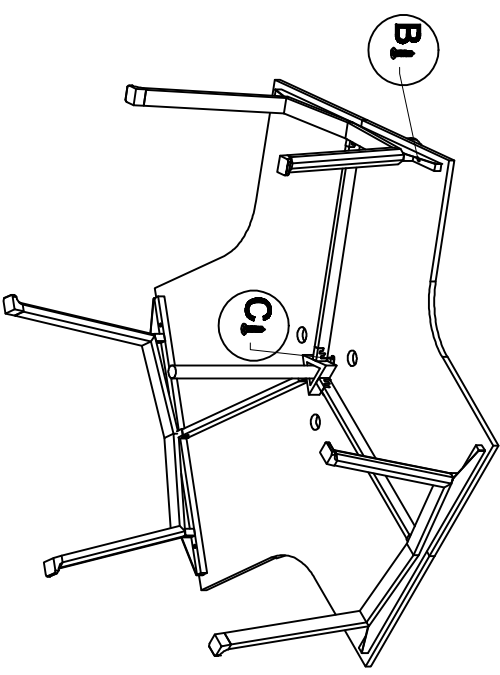
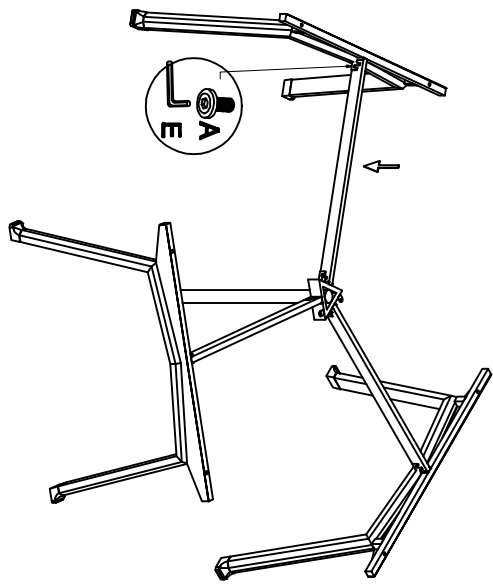


ASSEMBLE INSTRUCTION



No.	PARTS LIST	QTY
(1)		3
(2)		3
(3)		3
(4)		1
(5)		3

No.	A	B	C	D	E	F	G
PARTS LIST							
QTY	6	6	18	6	1	1	3